



A subsidiary of **VINCI**
ENERGIES

ENERGY FOR
NEW SOLUTIONS

**SIMPLY
SMART**

SMART SYSTEM

Divided rotary regenerative heat exchanger ready for assembly from two basic parts only.

Kastt in cooperation with Wolf GmbH presents as the very first company in Europe the brand new unique solution for divided rotary heat exchangers. This progressive solution completely changes the process of rotary heat exchangers assembly in the place of their operation.

Smart System is supplied with pre-assembled rotor in both parts of frame. Such a special design facilitates the assembly and makes it more accurate, thus saving time and costs considerably, especially assembly costs.



Key benefits

- Speed of assembly (one-tenth of standard time)
- Considerable reduction of assembly costs
- The assembly process is more accurate and easier
- Easy and safe handling
- Lower risk of rotor damage during assembly and handling
- Lower transport costs

Developed in cooperation with **WOLF**



For more information visit www.kastt.cz

Design

The design of the rotary heat exchanger with a pre-assembled rotor into both parts of frame is based on the standard divided design. The individual rotor parts (segments) are pre-assembled in the manufacturing plant and fitted into both halves of the frame.

That is why the maximum accuracy of the assembly is assured. Along their perimeter, the complete halves of the rotor are reinforced by special sheeting fixed for the transportation purposes. In the place of final destination both halves are then simply put together and secured by means of suitable connecting elements. Fixation elements are removed at the same time.

Technical parameters

- Rotary heat exchanger with pre-assembled rotor (up to Ø 5000 mm as a standard)
- For all rotor types
- Rotary heat exchanger rotor sealing – contactless sealing – felt



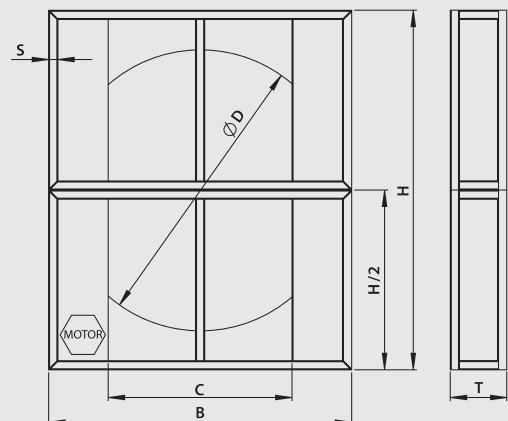
Description	ØD [mm]	B **) [mm]	H **) [mm]	T **) [mm]	C [mm]	Design
UNI/ØD	1900–2900	ØD +220	ØD +220	460	*)	Assembled
	3000–3800	ØD +220	ØD +220	505	*)	Assembled
	3900–5000	ØD +260	ØD +260	505	*)	Welded

Values are for reference only. Exact design parameters on request.

- Ø D** rotor diameter (dimensions by 10 mm)
- B** rotary heat exchanger cabinet width
- H** rotary heat exchanger cabinet height
- T** rotary heat exchanger cabinet depth
- T_{LAB}** connecting size (for version with front panels)
- S** profile size

Note:

- rotary heat exchanger may be fitted with a supporting frame
- winding width 200 mm
- *) customized dimensions
- **) minimum dimensions (may be extended subject to customer-specific requirements)



A subsidiary of **VINCI ENERGIES**

KASTT, spol. s r.o.
 Jižní 870
 500 03 Hradec Králové
 Česká republika

+420 495 404 010
 info@kastt.cz

www.kastt.cz

