



A subsidiary of **VINCI**  
ENERGIES

ENERGY FOR  
NEW SOLUTIONS

**COST  
-EFFECTIVE  
SOLUTION**



## BASIC

BASIC design represents a simple and cost-effective solution of the rotary heat exchanger cabinet. This rotary heat exchanger design developed by KASTT is characteristic by its simplicity, compact dimensions and low weight.

The complete cabinet of the rotary heat exchanger is made of galvanized sheet profiles. These profiles form a compact cabinet.

Basic rotary heat exchangers are fitted with contact (brush) or labyrinth sealing.



## Key benefits

- Cost-effective solution Low weight
- Low weight
- Primarily designed as a plug-in module for air-handling units
- Short delivery term
- Also possible in divided design.



For more information visit [www.kastt.cz](http://www.kastt.cz)

## Technical parameters

- Maximal rotor diameter 2500 mm one-piece  
3600 mm divided
- Heat exchanger design: one-piece/divided
- Divided design possible subject to prior consultation with the manufacturer
- For all rotor types
- Possibility to choose the rotor sealing: brush or labyrinth sealing with the minimum tightness of 98,5 %



Ø  
**2500** mm  
One-piece  
← MAX. →

Ø  
**3600** mm  
divided  
← MAX. →



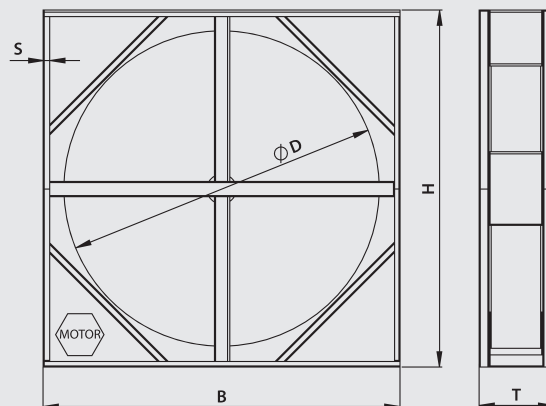
Description	ØD [mm]	B *) [mm]	H *) [mm]	T [mm]	T <sub>LAB</sub> [mm]	Design
UNI/ØD	500–1000	ØD +100	ØD +100	290	310	One-piece
	1100–2200	ØD +100	ØD +100	310	350	One-piece
	2100–2500	ØD +100	ØD +100	310	380	One-piece
	1000–1700	ØD +120	ØD +120	310	x	Divided
	1800–2400	ØD +120	ØD +120	350	x	Divided
	2500–3600	ØD +150	ØD +150	ØD +150	350	x

Values are for reference only. Exact design parameters on request.

- Ø D** rotor diameter (dimensions by 10 mm)  
**B** rotary heat exchanger cabinet width  
**H** rotary heat exchanger cabinet height  
**T** rotary heat exchanger cabinet depth  
**T<sub>LAB</sub>** connecting size (for version with front panels)  
**S** profile size

### Note:

- rotary heat exchanger may be fitted with a supporting frame
- winding width 200 mm
- \*) minimum dimensions (may be extended subject to customer-specific requirements)



A subsidiary of **VINCI** ENERGIES

🏠 KASTT, spol. s r.o.  
 Jižní 870  
 500 03 Hradec Králové  
 Česká republika

☎ +420 495 404 010  
 ✉ info@kastt.cz

[www.kastt.cz](http://www.kastt.cz)

